

RCA PLUG KIT



P/N 2883824

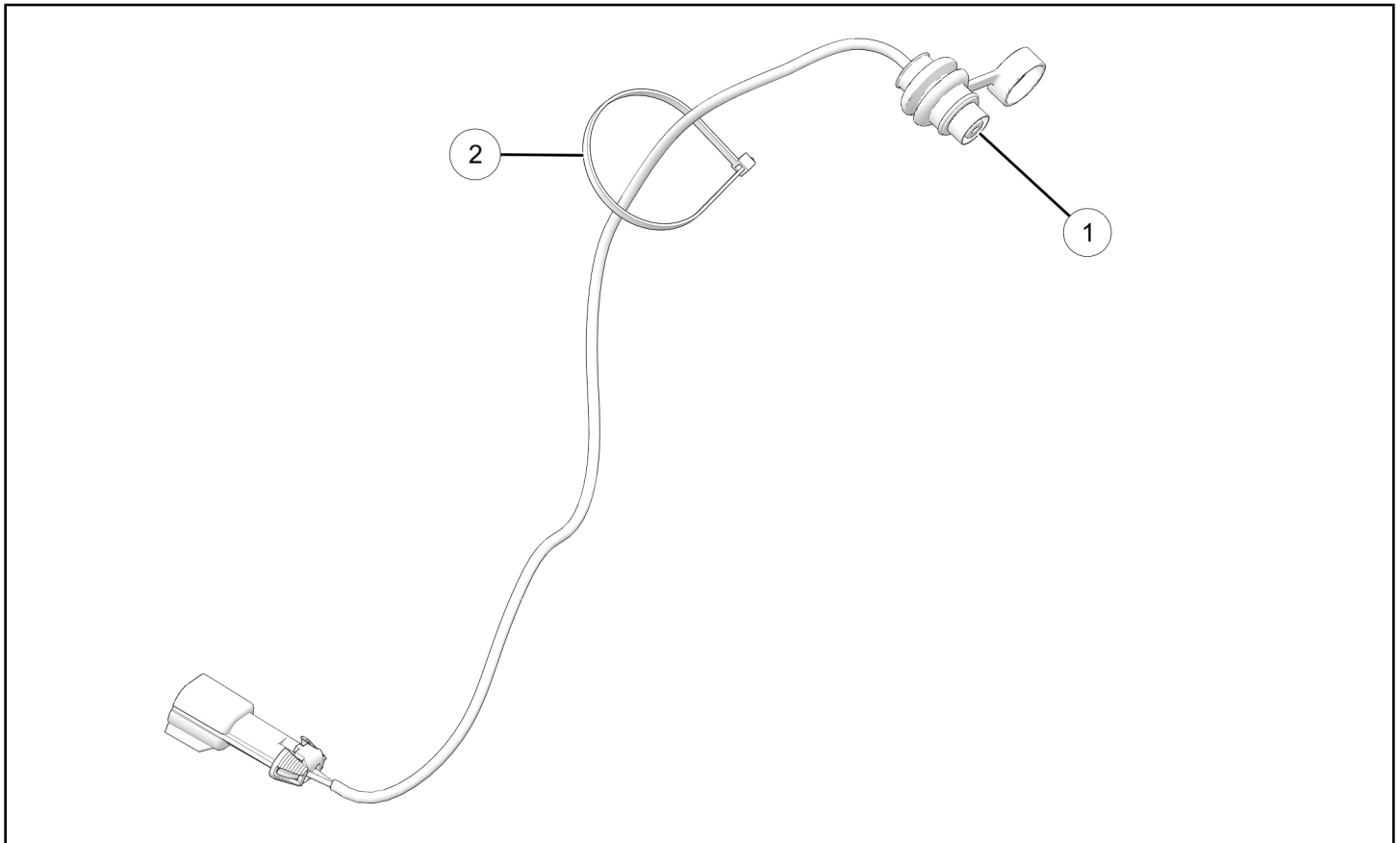
BEFORE YOU BEGIN

Read these instructions and check to be sure all parts and tools are accounted for. Please retain these installation instructions for future reference and parts ordering information.

APPLICATION

Verify accessory fitment at www.polaris.com.

KIT CONTENTS



REF	QTY	P/N AVAILABLE SEPARATELY	P/N AVAILABLE SEPARATELY
1	1	RCA Plug	2414662
2	1	Cable Tie	7080138
-	1	Template	n/a
-	1	Template	n/a
-	1	Template	n/a

TOOLS REQUIRED

- Safety Glasses
- Drill
- Hole Saw:
 - 3/4 in (19 mm)
- Pliers, Push Pin Rivet
- Pliers, Side Cutting
- Socket Set, Torx® Bit

IMPORTANT

Your RCA Plug Kit is exclusively designed for your vehicle. Please read the installation instructions thoroughly before beginning. Installation is easier if the vehicle is clean and free of debris. For your safety, and to ensure a satisfactory installation, perform all installation steps correctly in the sequence shown.

INSTALLATION INSTRUCTIONS

VEHICLE PREPARATION

GENERAL

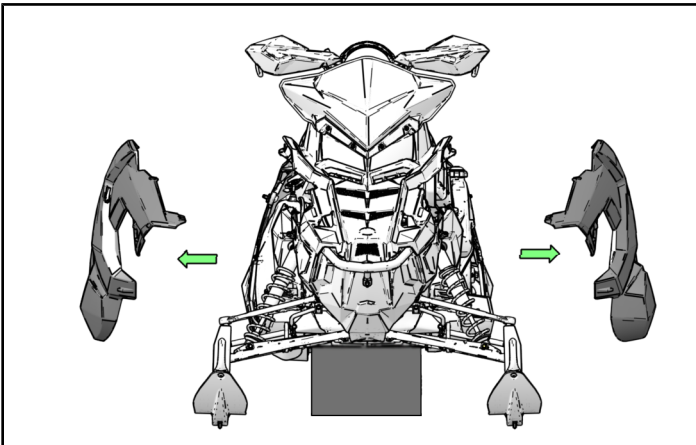
1. Park vehicle on a flat surface.
2. Push engine stop switch to OFF position.
3. Turn key to OFF position and remove key.

AXYS MODELS: REMOVE CONSOLE

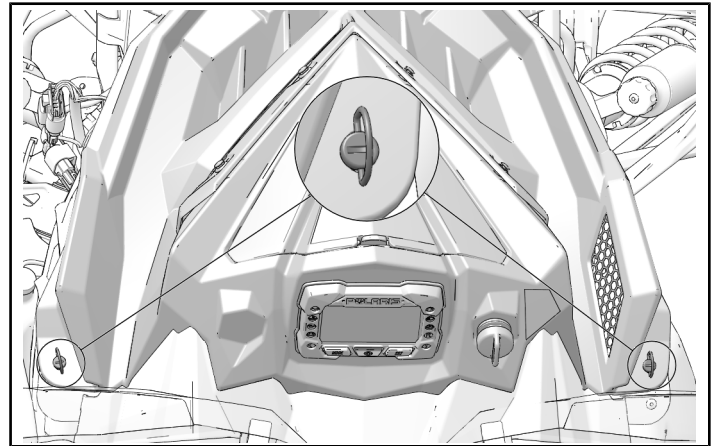
IMPORTANT

Protect all finished surfaces during these operations.

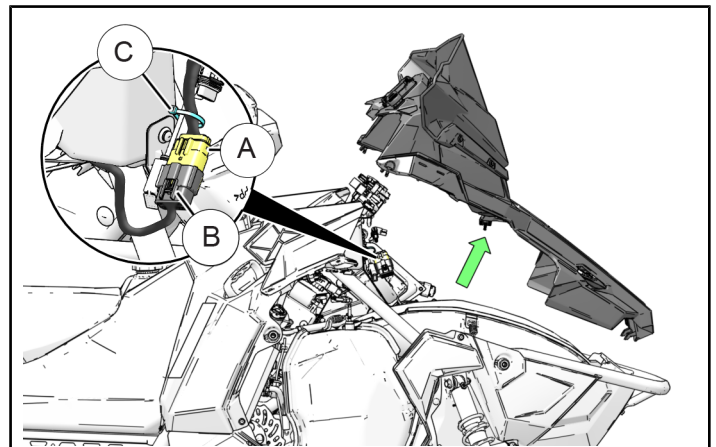
1. Remove side panels as shown in Owner's Manual.



2. Turn two hood latch fasteners at rear corners of hood.



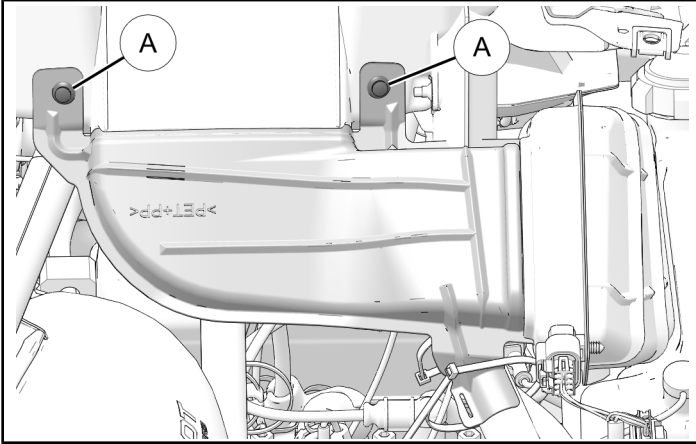
3. Slightly lift rear of hood and disconnect hood harness (A) from main chassis harness (B). Cut cable tie (C) attaching hood harness to chassis, if applicable.



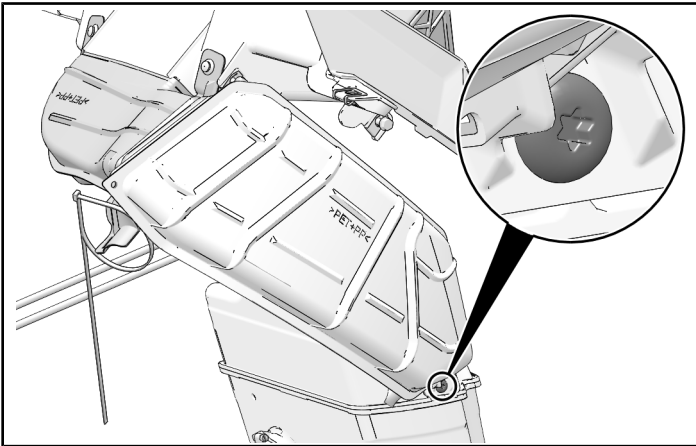
4. Remove hood and carefully set aside.

REMOVE UPPER INTAKE PLENUM

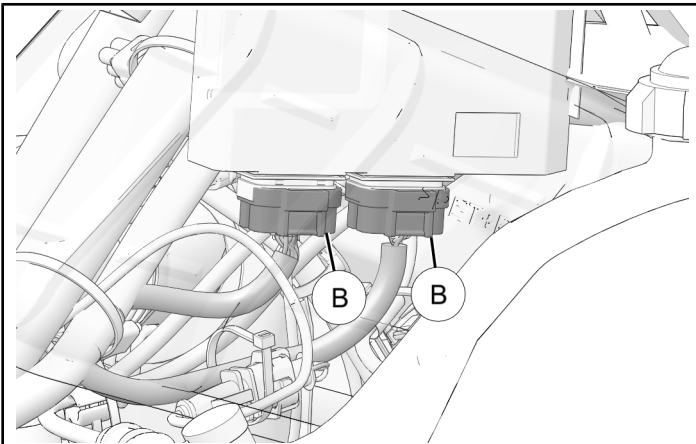
1. Remove and keep two dart clips (A). Remove and set aside intake tube.



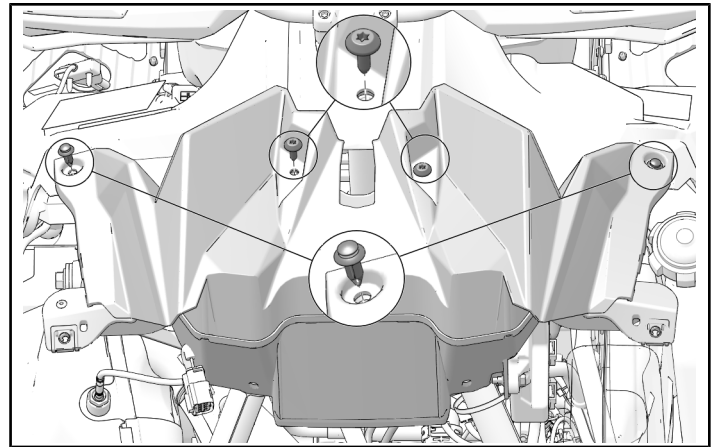
2. Remove one screw from side of plenum.



3. Unplug two electrical connectors (B) from the ECU.



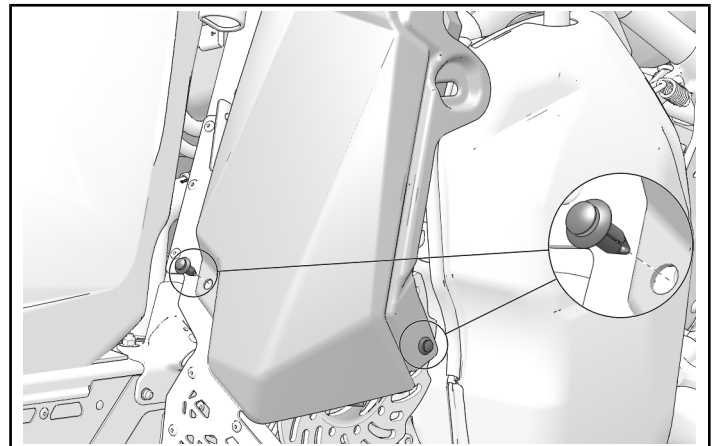
4. Remove and keep two screws and two dart clips.



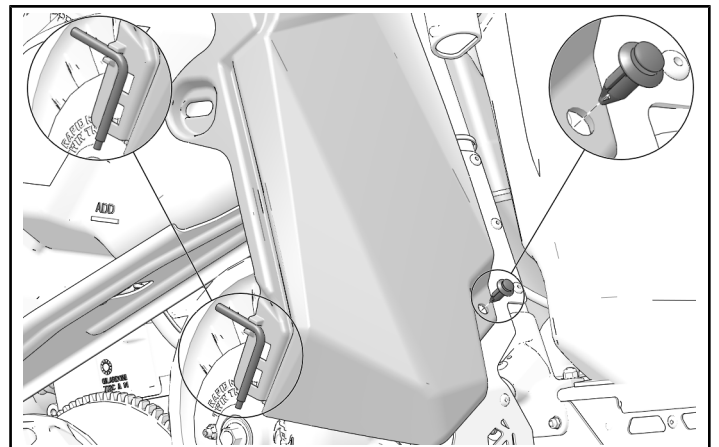
5. Lift off and set aside upper intake plenum.

REMOVE CONSOLE

1. Remove two dart clips from right side of console.



2. Remove clutch tool and dart clip from left side of console.



3. Slide console rearward slightly. Disconnect console switch harness from chassis harness.

- Carefully remove console and set aside.

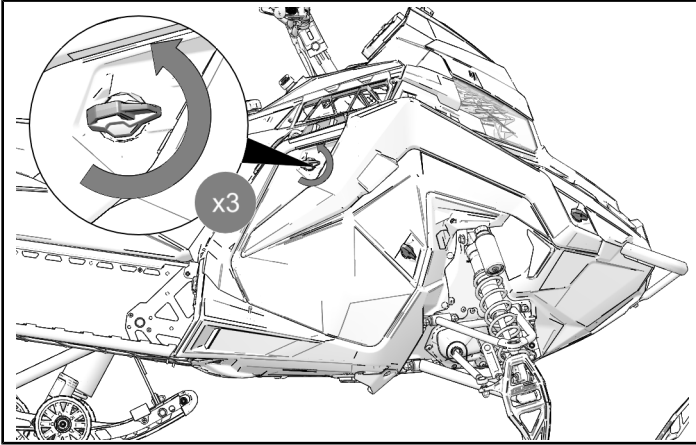
NOTICE

Keep starter rope/handle attached to console.

MATRYX MODEL PREPARATION

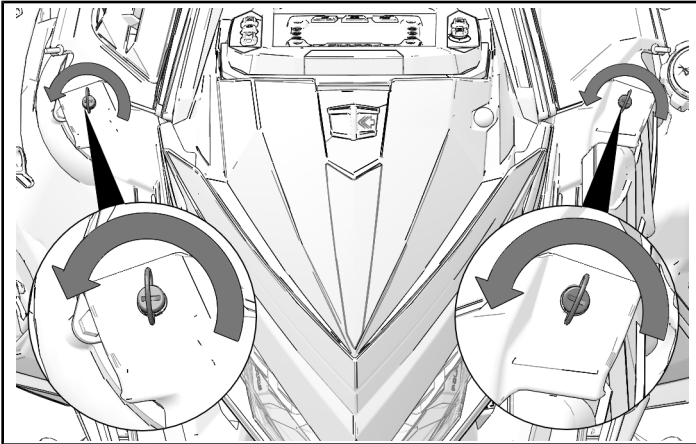
REMOVE SIDE PANEL

- Turn three side panel latches toward rear of snowmobile to release, then remove side panel.

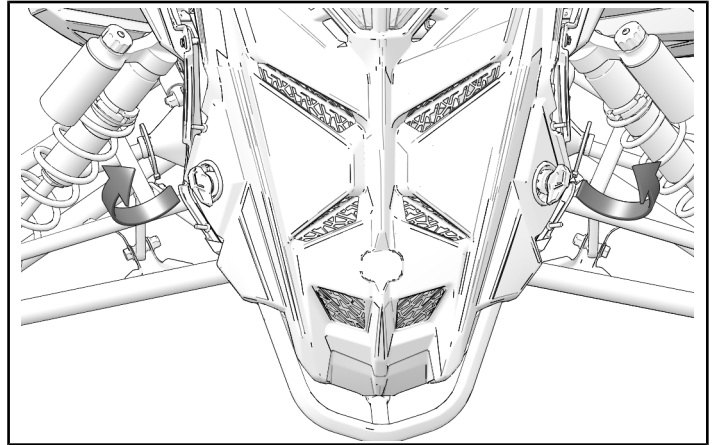


REMOVE HOOD

- Turn hood fasteners counter-clockwise to release hood.



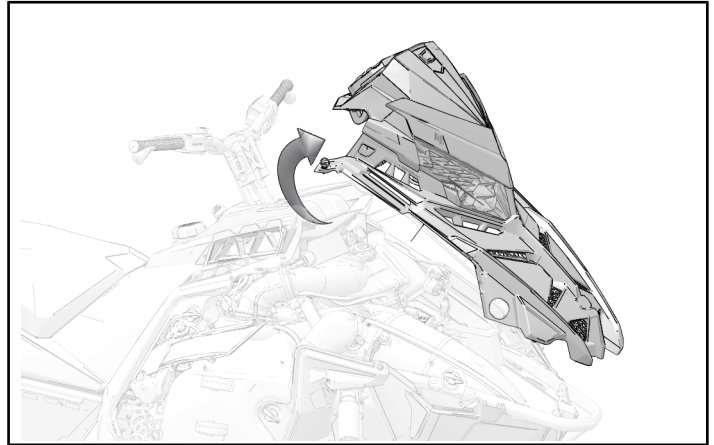
- Pull sides of hood out away from side panel fasteners.



- Lift hood up and away from snowmobile.

NOTICE

Disconnect wiring when removing hood.

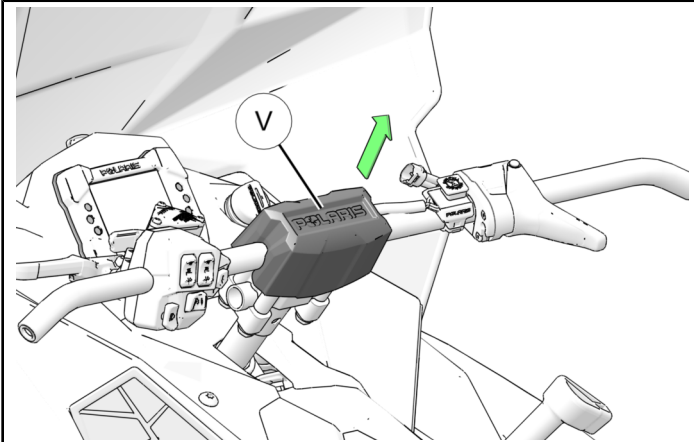


ACCESSORY INSTALLATION

INSTALLATION FOR AXYS AND TITAN MODELS

REMOVE HANDLEBAR COVER: TRAIL PERFORMANCE/TITAN MODELS – OPTIONAL INSTALLATION LOCATION

1. Firmly pull upward on lower edges of handlebar cover (V) to remove.



DRILL MOUNTING HOLE

⚠ CAUTION

Reposition and shield ALL electrical wires, connectors, and underlying components on the backside of the area to be drilled/cut before proceeding to the next step. Failure to comply may result in damage to the electrical system and/or underlying components.

1. Select template.

IMPORTANT

Templates are provided at the end of the instructions. Be sure to select the correct one for your snowmobile.

2. Verify the reference dimension is exactly 4 in (10.16 cm).

IMPORTANT

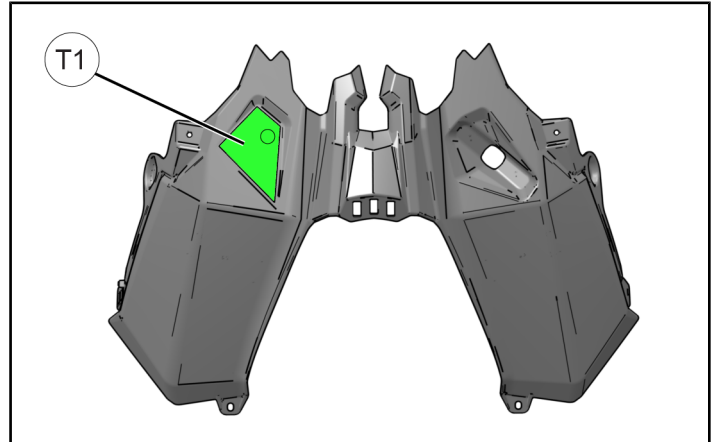
If the measurement is not exactly 4 in (10.16 cm), reprint template using print setting “**Actual Size**” (not “Fit”) to get 1:1 scale.

NOTICE

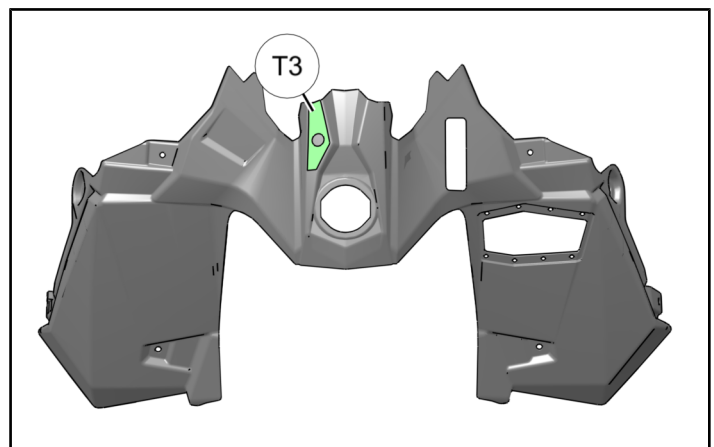
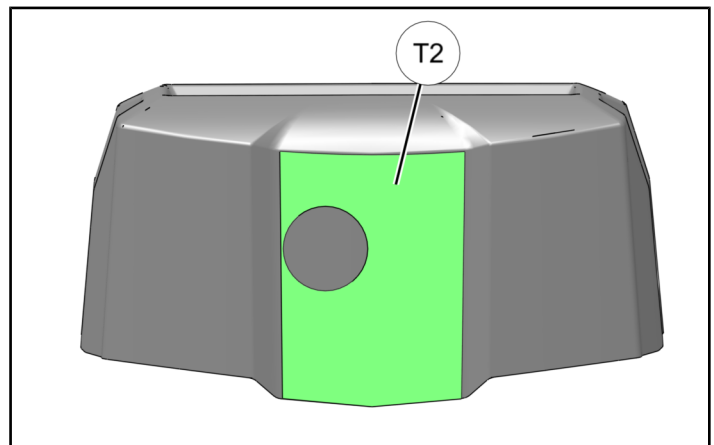
Vehicle hidden for clarity of images.

3. Cut out template and tape to console in location shown.

- **Axys RMK:** Template T1



- **Axys Trail Performance / Titan:** Template T2 for handlebar cover mounting OR Template T3 for console mounting



4. Use a center punch or equivalent to mark the center of hole.
5. Drill the 3/4 in (19 mm) hole.

INSTALL RCA POWER PLUG

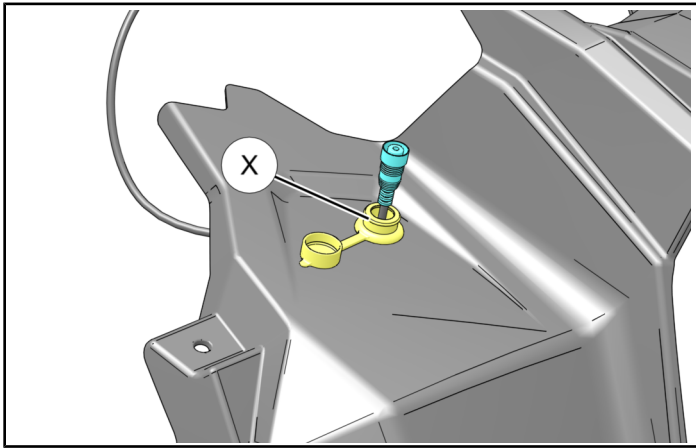
NOTICE

Axys RMK shown, other models similar.

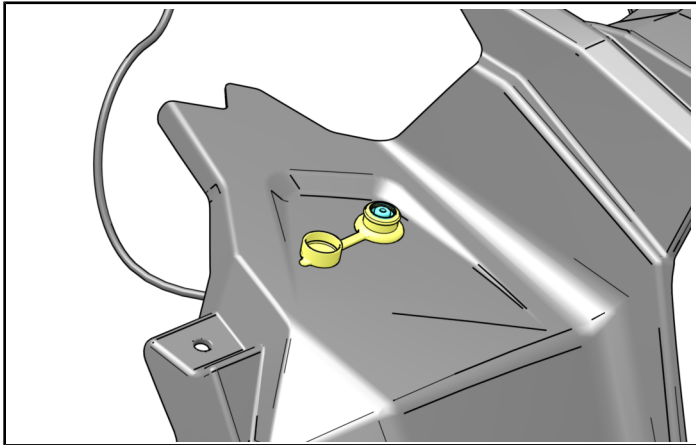
1. Move rubber grommet (X) on RCA plug away from the end, as shown. Insert plug assembly into hole.

NOTICE

Push/pull rubber grommet into position to make sure it is fully seated.

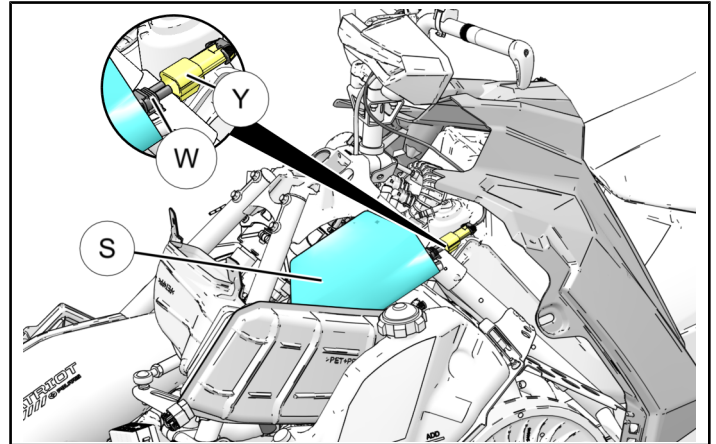


2. Push/pull remaining portion of plug into grommet until it is flush with the end, as shown.



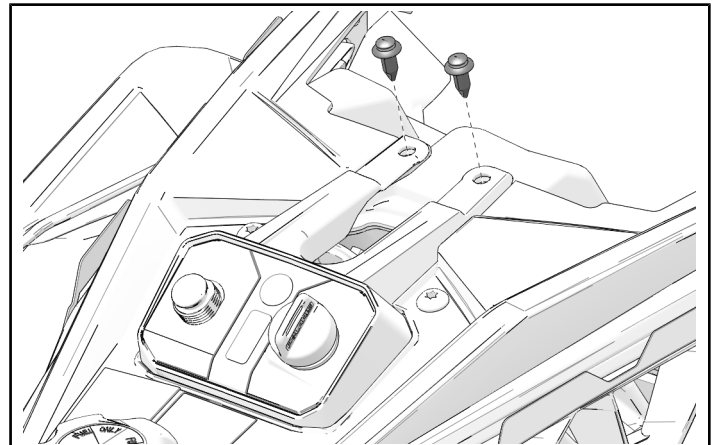
3. **Axys models:** Connect RCA power wire connector (Y) to vehicle harness connector (W) in fabric bag.

- **Handlebar Mounting:** Put RCA power wire through handlebar from back to front. Firmly press down on top of handlebar cover 1.1 until it is fully seated. Do not pinch power wire when replacing cover.
- Put remaining wire down handlebar electrical harness to vehicle harness connector (W).
- Attach RCA power wire to handlebar electrical harness with cable ties.



INSTALLATION FOR MATRYX – ALL MODELS

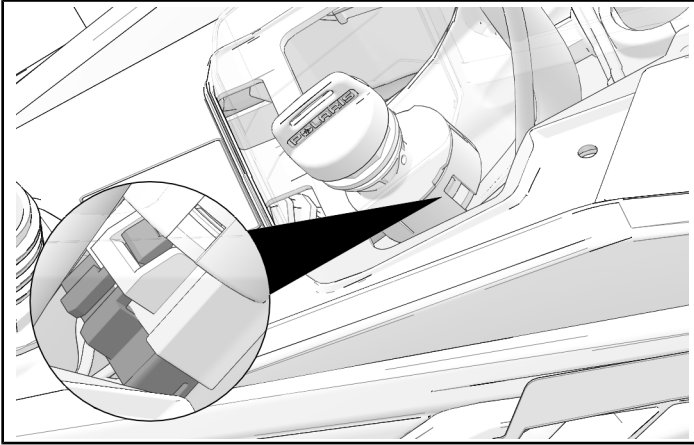
1. Remove two push pin rivets attaching switch panel to console.



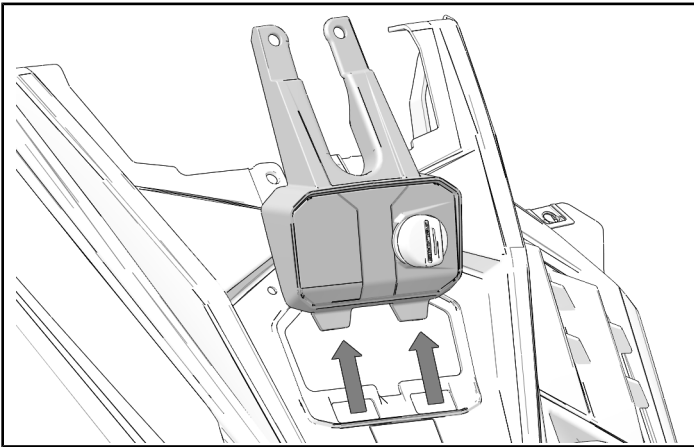
2. Disconnect ignition switch wiring.

NOTICE

Switch panel hidden for clarity.



3. Remove switch panel from console.



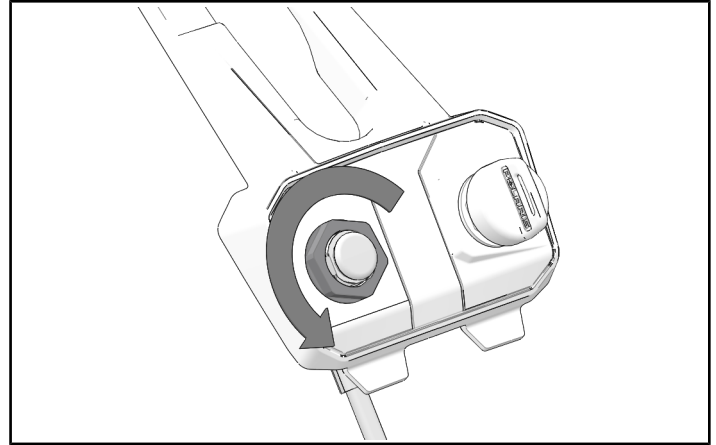
4. Remove plastic nut from tether switch (if equipped). Remove tether from switch panel and re-install plastic nut.

TIP

Hold back side of tether to keep from spinning while removing plastic nut.

NOTICE

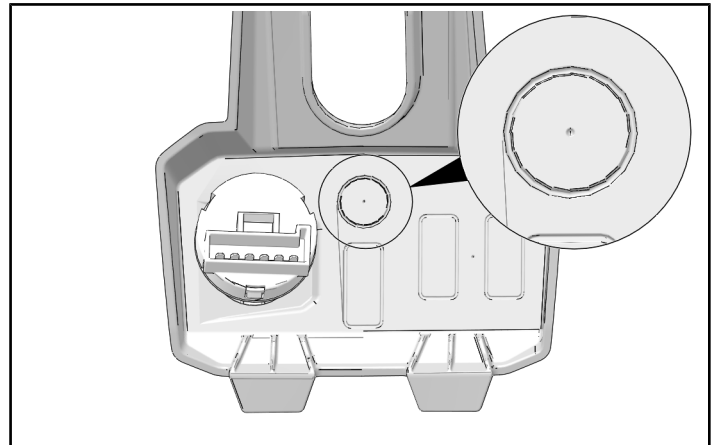
Do not disconnect tether wiring.



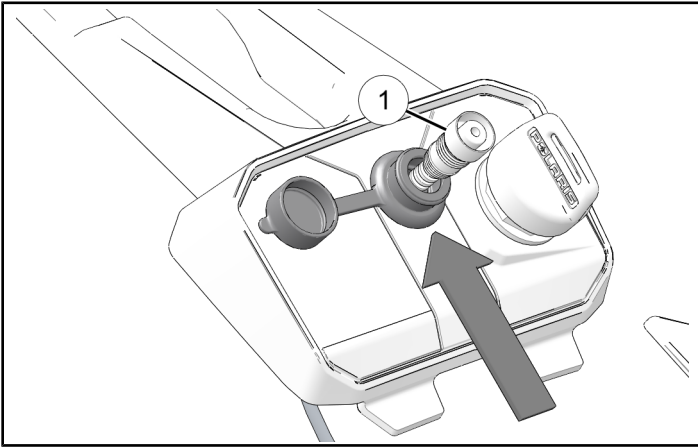
5. Center hole saw on witness mark. Use hole saw to cut out opening.

MEASUREMENT

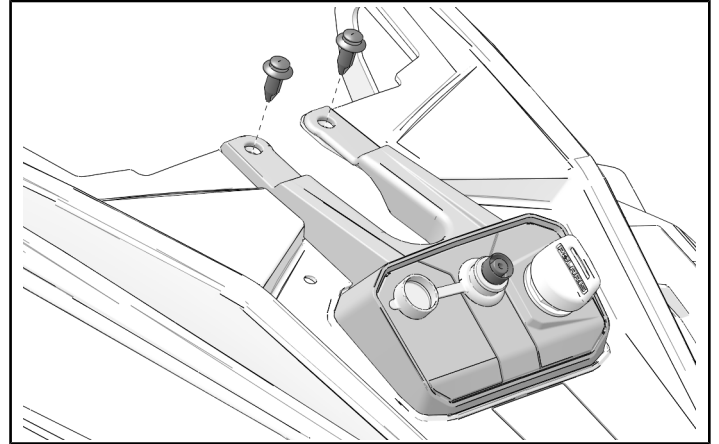
Hole Saw Size:
3/4 in (19 mm)



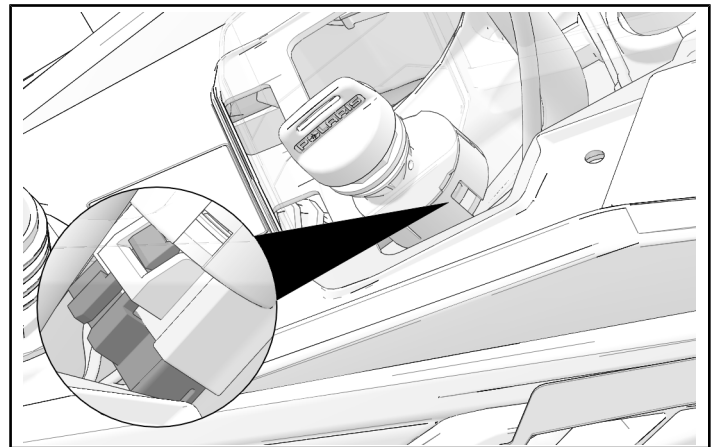
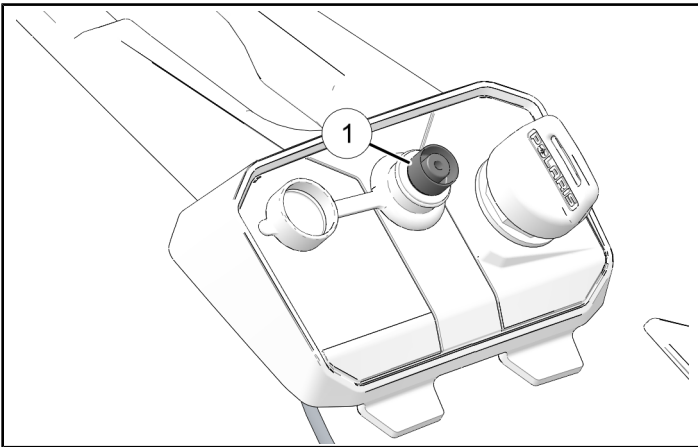
6. Route RCA plug ① through opening. Fit grommet over RCA plug and into hole.



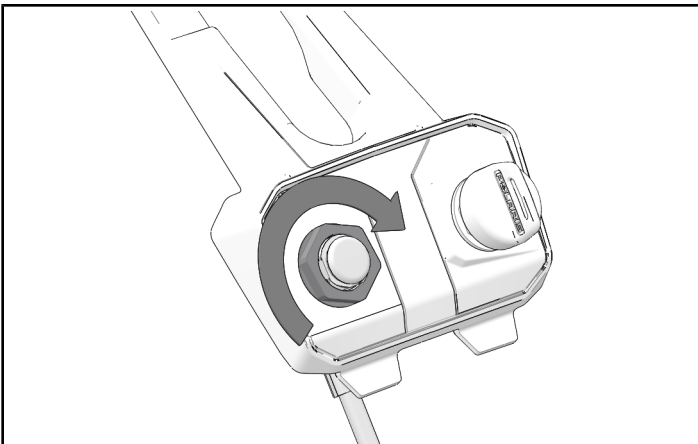
9. Install switch panel onto console using two push pin rivets. Connect ignition switch wiring. Connect tether switch wiring (if equipped).



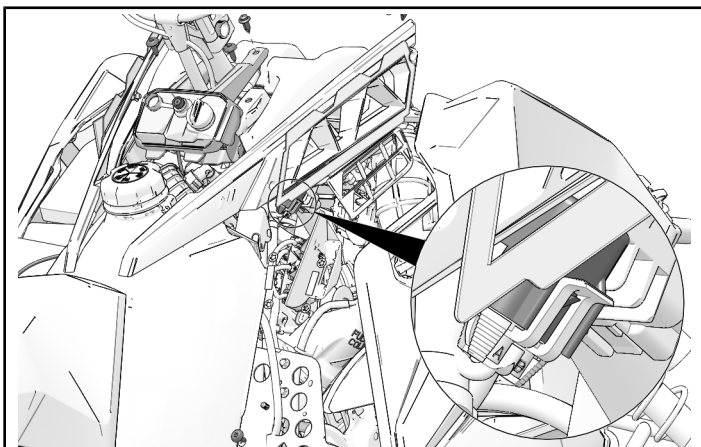
7. Install RCA plug ① until it is seated in grommet.



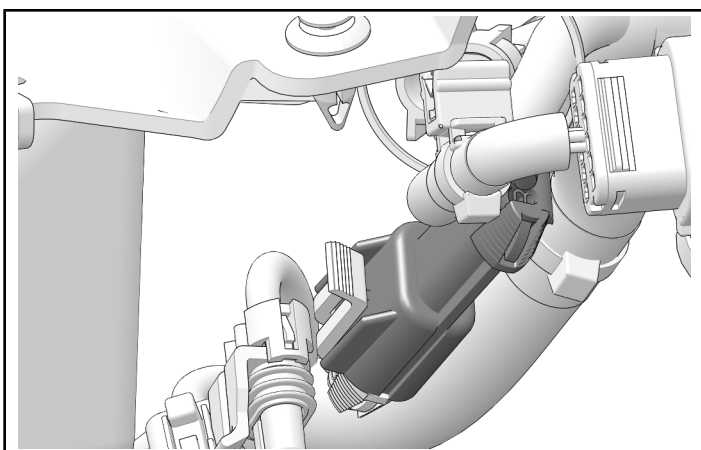
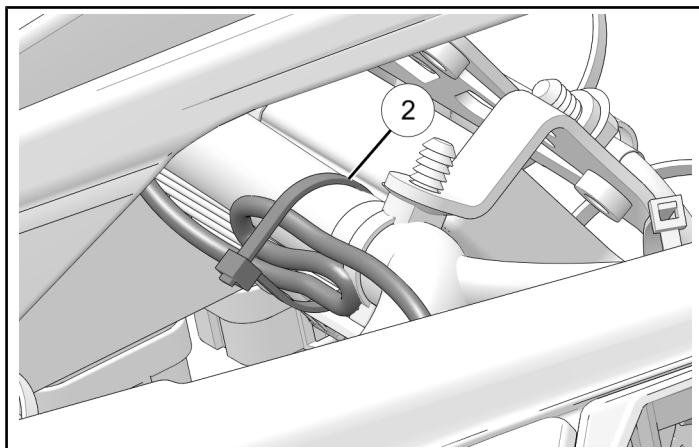
8. Install tether switch (if equipped). Remove plastic nut from tether and install in switch panel. Install plastic nut.



10. Locate power connection on right side of snowmobile. Vehicle connector will be labeled "RCA plug." Remove protective cap and connect RCA power wire.



11. Use one cable tie ② to bundle extra length of RCA power wire and attach to main vehicle harness.

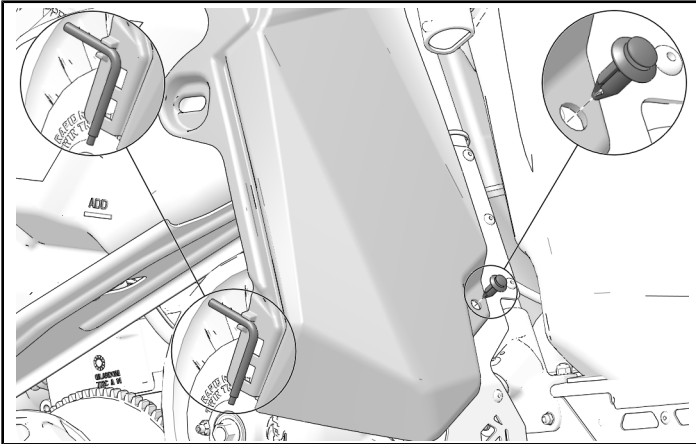


VEHICLE REASSEMBLY

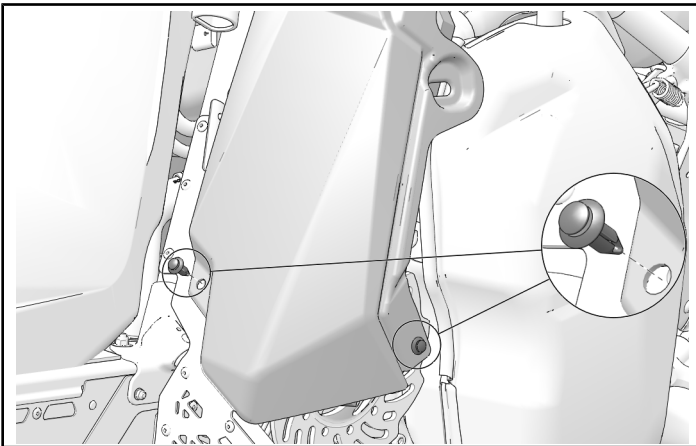
AXYS MODELS: REINSTALL CONSOLE

REINSTALL CONSOLE

1. Put console in place. Connect console switch harness to chassis harness.
2. Install clutch tool and dart clip on left side of console.



3. Install two dart clips on right side of console.



REINSTALL UPPER INTAKE PLENUM

NOTICE

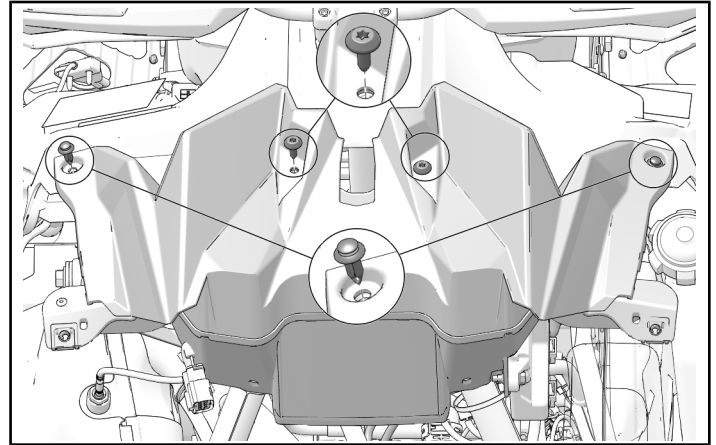
Be careful to not damage the intake screen while installing.

1. Put upper intake plenum in position and make sure console tabs are fully engaged into slots on underside of plenum.

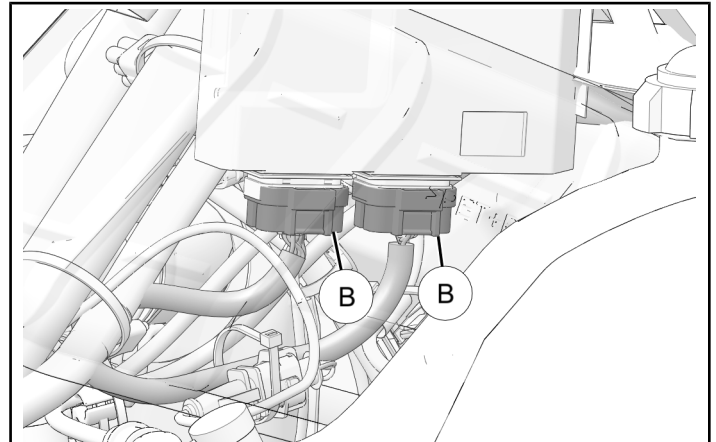
2. Install two screws and two dart clips. Torque screws to specification.

TORQUE

Upper Intake Plenum Screws:
7 ft-lbs (10 N·m)



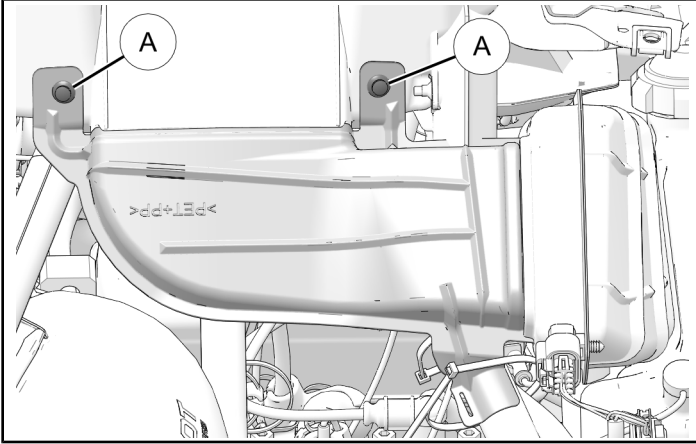
3. Connect two electrical connectors (B) to the ECU.



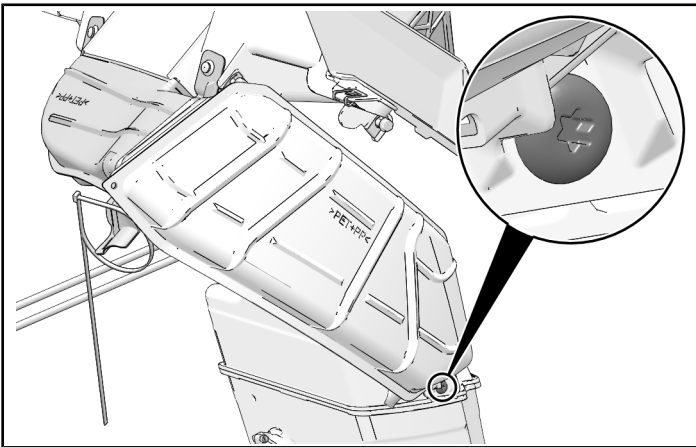
- Put intake tube into position and attach with two dart clips (A).

IMPORTANT

Make sure the mating joint between upper intake plenum and intake tube is completely engaged all around the joint. Failure to do so may result in premature engine failure.

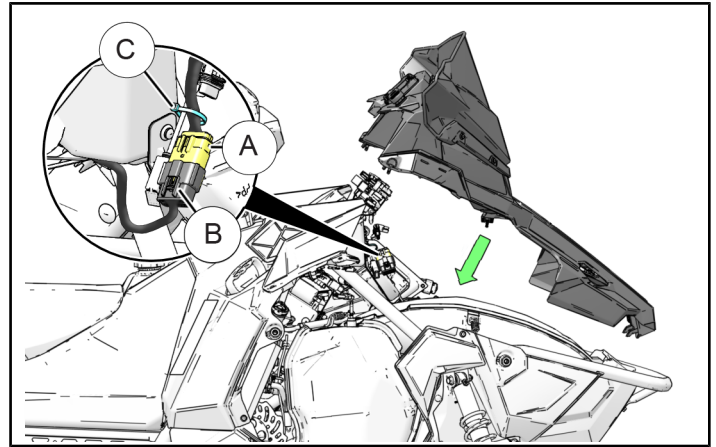


- Install one screw on side of plenum.

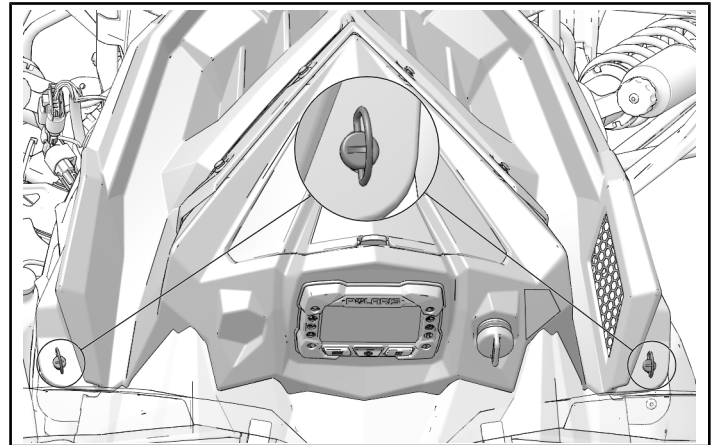


REINSTALL SIDE PANELS AND HOOD

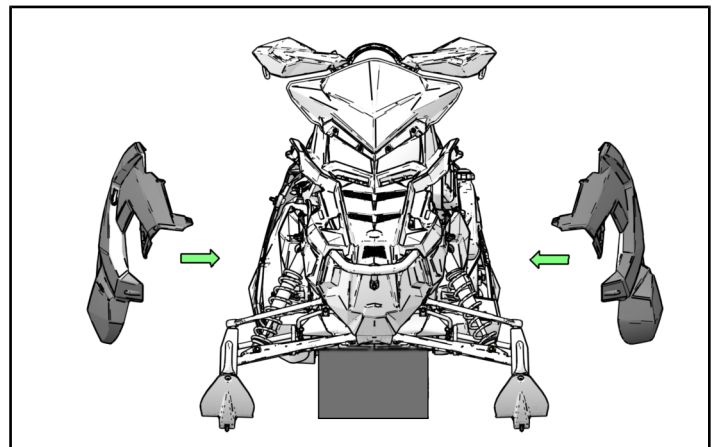
- Put hood in place and connect hood harness (A) to main chassis harness (B). Use a new cable tie (C) to attach hood harness to chassis, if one was removed.



- Turn two hood latch fasteners at rear corners of hood.



- Install side panels as shown in Owner's Manual.



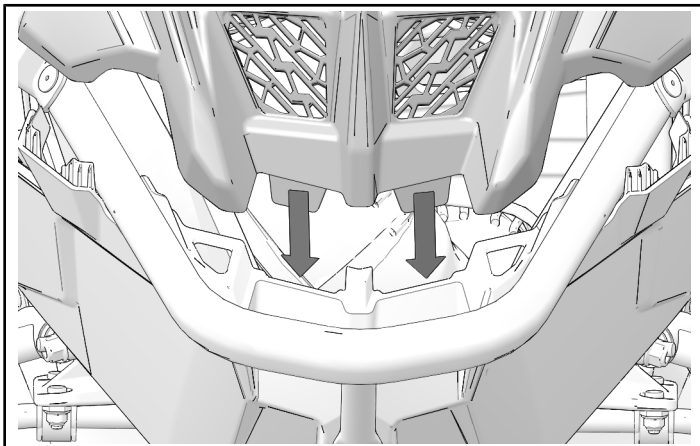
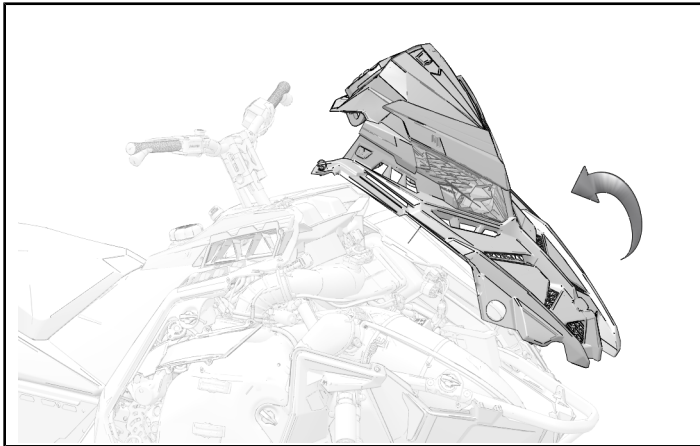
MATRYX MODEL REASSEMBLY

INSTALL HOOD

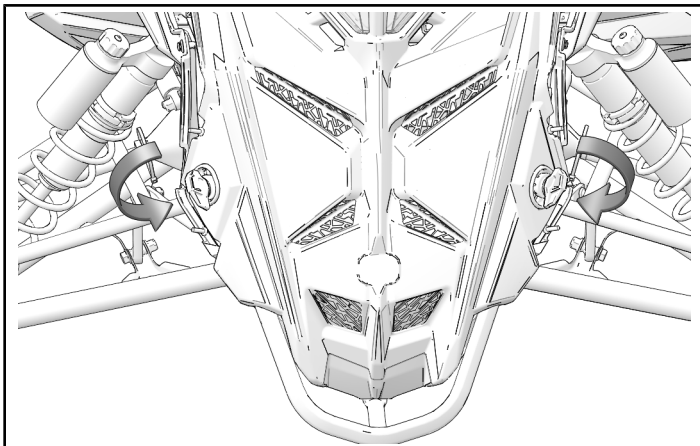
1. Install hood on snowmobile. Make sure tabs fit inside front pan.

NOTICE

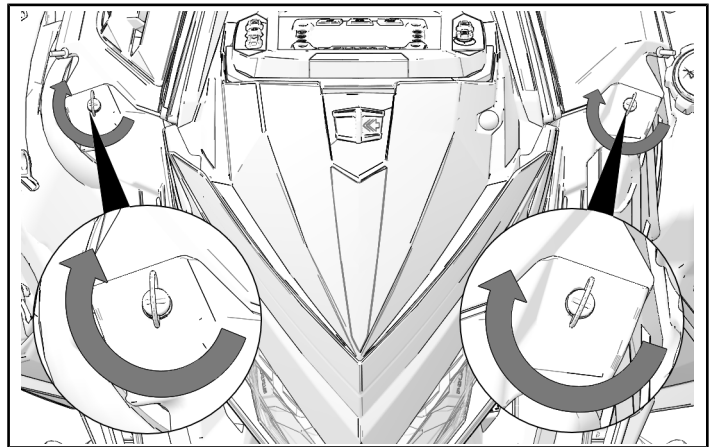
Make sure to connect hood wiring when installing hood.



2. Pull sides of hood out and install over side panel fasteners.

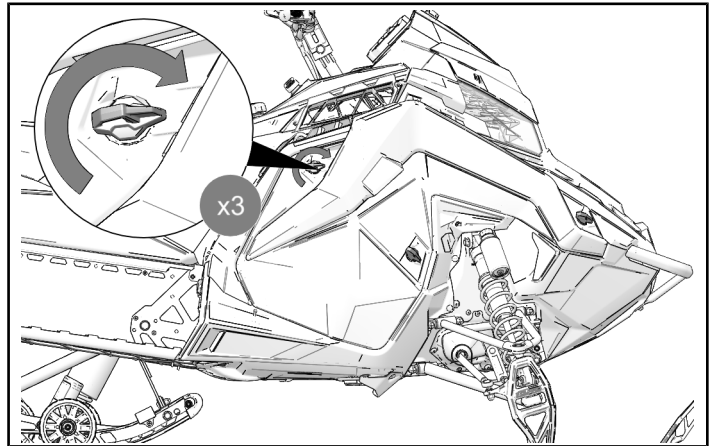


3. Turn hood fasteners clockwise to lock hood.



INSTALL RIGHT SIDE PANEL

1. Install side panel on snowmobile. Turn fasteners toward front of snowmobile to lock in place.



FEEDBACK FORM

A feedback form has been created for the installer to provide any comments, questions or concerns about the installation instructions. The form is viewable on mobile devices by scanning the QR code or by clicking [HERE](#) if viewing on a PC.



