

# SENTRY SKID PLATE KIT



P/N 2884816-XXX

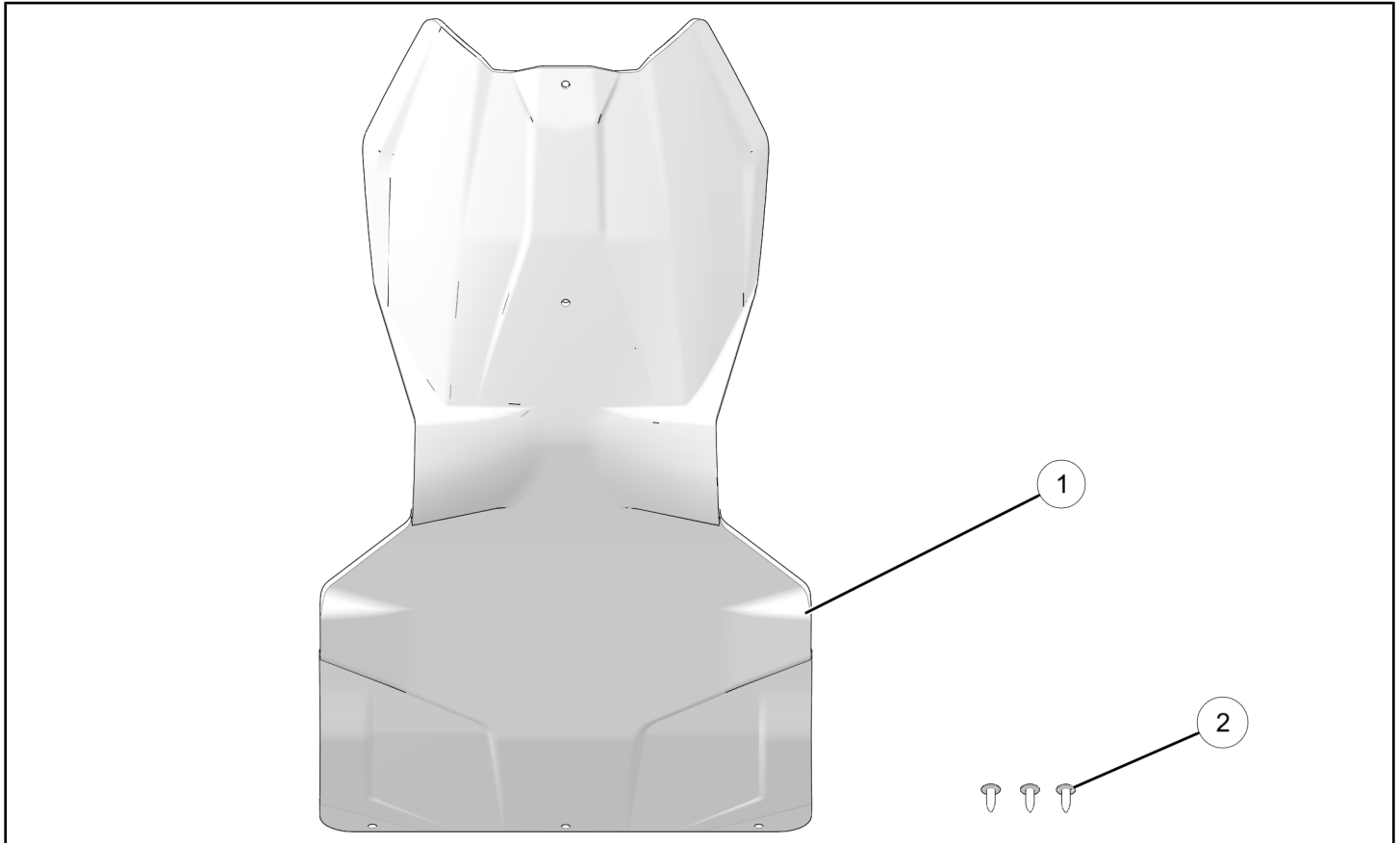
## APPLICATION

Verify accessory fitment at [www.polaris.com](http://www.polaris.com)

## BEFORE YOU BEGIN

Read these instructions and check to be sure all parts and tools are accounted for. Please retain these installation instructions for future reference and parts ordering information.

## KIT CONTENTS



### NOTICE

XXX = Polaris® color code (For example: 070 = Black)

REF	QTY	PART DESCRIPTION	PART NUMBER
1	1	Sentry Skid Plate Kit (Includes Item 2)	n/a
2	3	Screw, Self Drilling #10-16 X 1 in	7521355

## TOOLS REQUIRED

- Safety Glasses
- Deburring Tool
- Socket Set, Metric
- Socket Set, Torx® Bit
- Torque Wrench
- Wrench Set, Metric
- Exhaust Spring Puller

## IMPORTANT

Your Sentry Skid Plate Kit is exclusively designed for your vehicle. Please read the installation instructions thoroughly before beginning. Installation is easier if the vehicle is clean and free of debris. For your safety, and to ensure a satisfactory installation, perform all installation steps correctly in the sequence shown.

## INSTALLATION INSTRUCTIONS

### VEHICLE PREPARATION

#### GENERAL

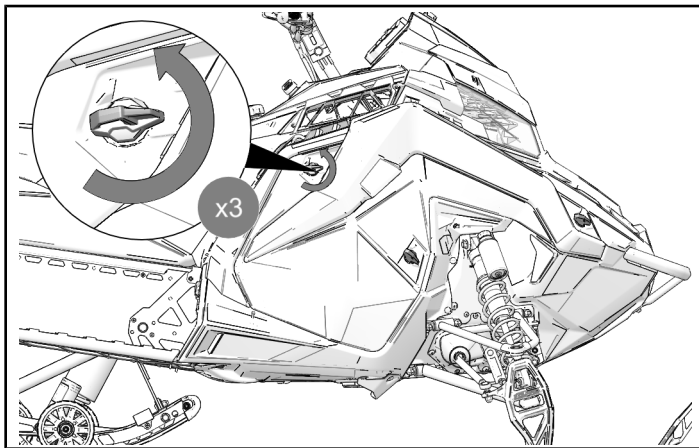
1. Park vehicle is on a flat surface.
2. Push engine stop switch to OFF position.
3. Turn key to OFF position and remove key.

#### REMOVE SIDE PANELS

1. Twist three quarter-turn fasteners toward rear of snowmobile. Remove side panel.

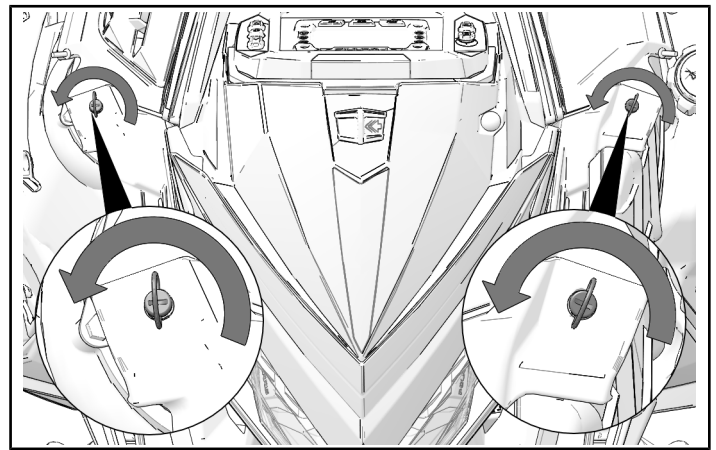
#### NOTICE

Right side panel shown, left side similar.

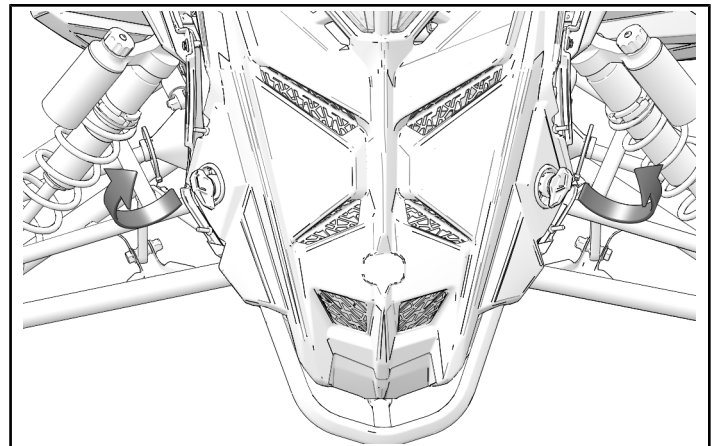


#### REMOVE HOOD

1. Turn hood fasteners counter-clockwise to release hood.



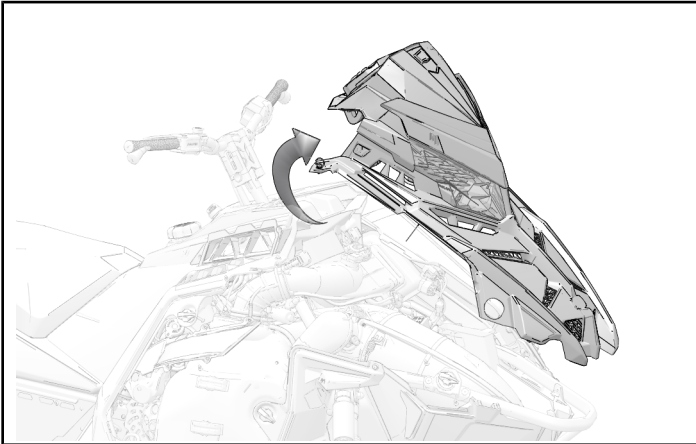
2. Pull sides of hood out away from side panel fasteners.



3. Lift hood up and away from snowmobile.

**NOTICE**

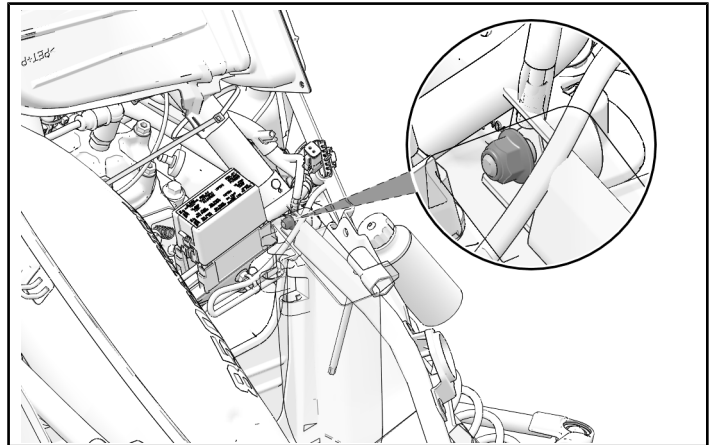
Disconnect wiring when removing hood.



2. Loosen the two rear bumper mounting fasteners but do not remove.

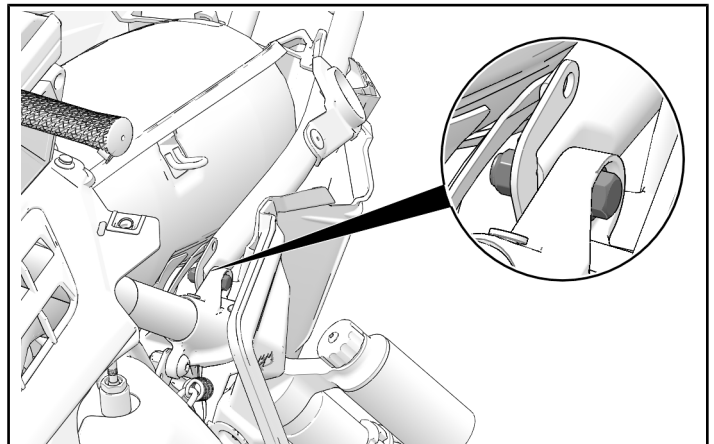
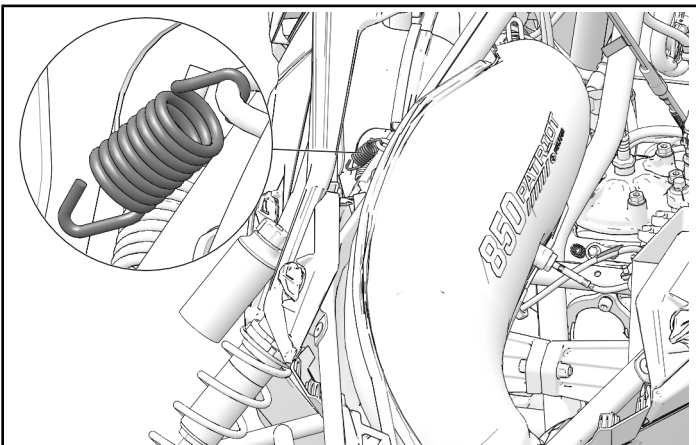
**IMPORTANT**

Make sure ground wire stays in place and does not become damaged.

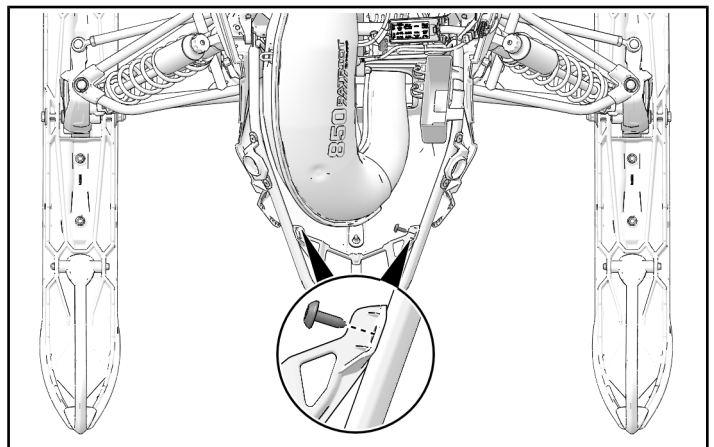


**ACCESSORY INSTALLATION**

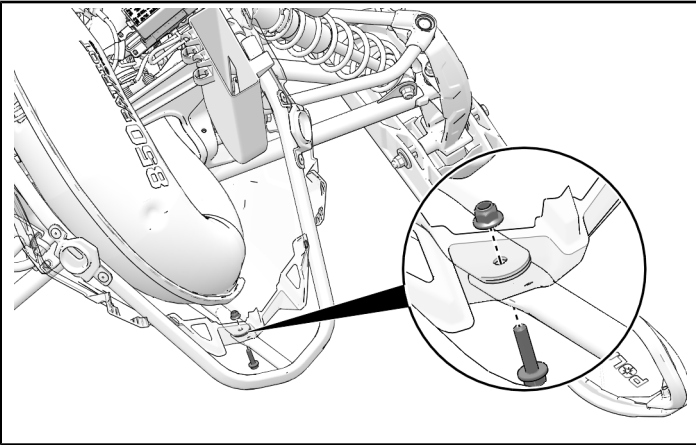
1. Remove and keep exhaust spring attaching tuned pipe to bumper.



3. Remove and keep two screws holding the left and right hand side of bumper to the nose pan.



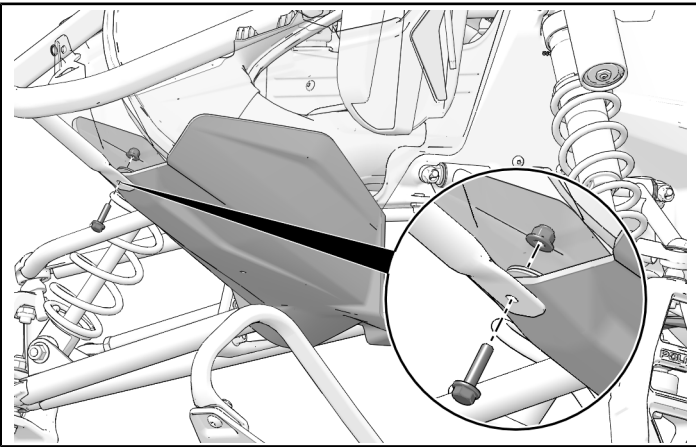
4. Remove and keep upper bumper support bolt and nut.



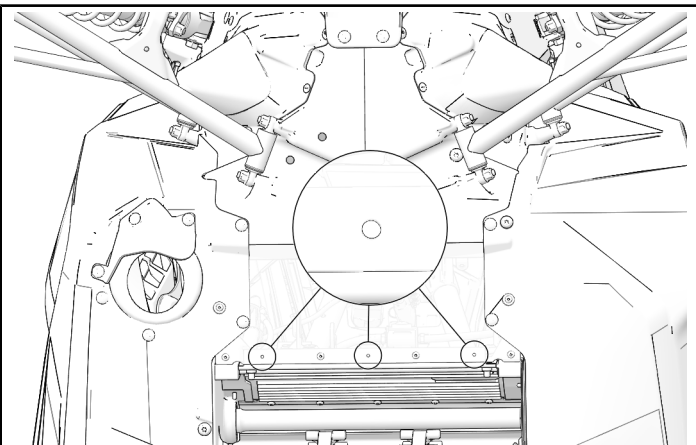
5. Put Sentry Skid Plate under the front bumper mounting tab as shown. Insert the original center bumper mounting bolt and loosely install kept nut.

**NOTICE**

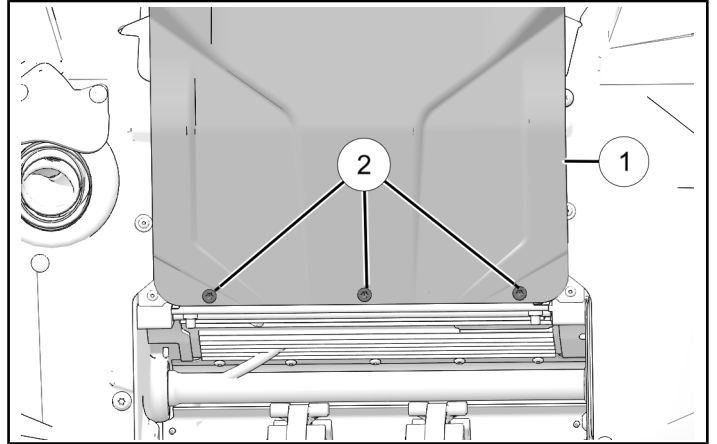
Nosepan has been partially hidden for clarity.



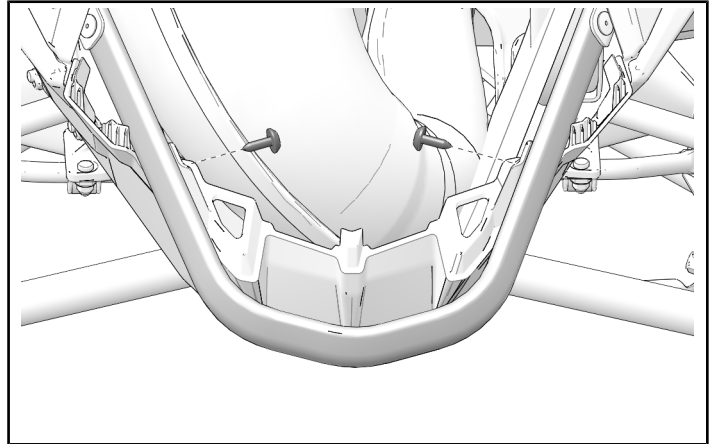
6. Locate three pre-existing holes at front of tunnel.



7. Align skid plate with three pre-existing holes. Attach rear of skid plate ① using three screws ②. Tighten until snug.



8. Loosely install two front bumper screws.

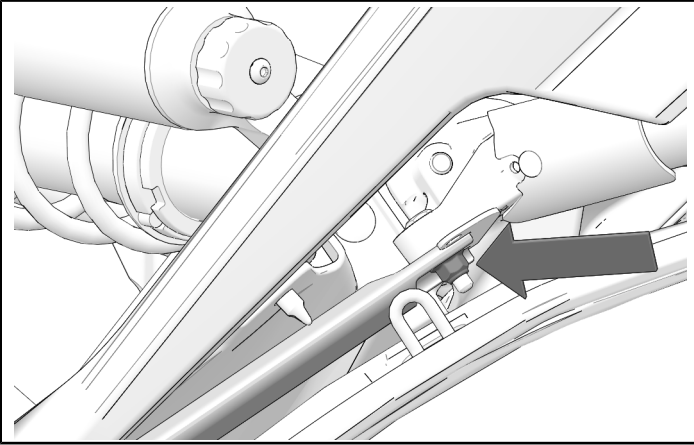




9. Torque five bumper fasteners to specification.

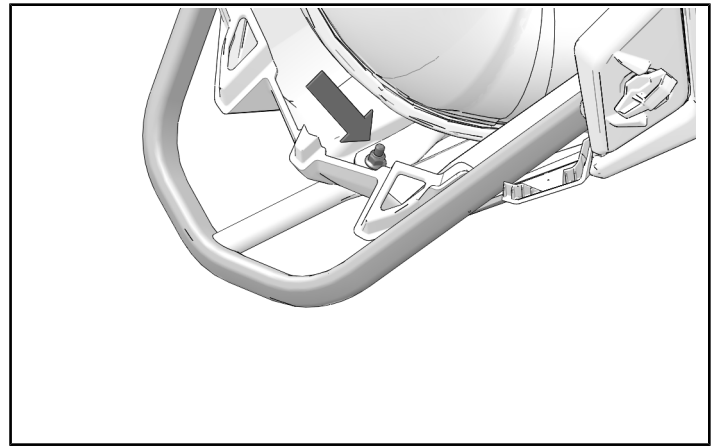
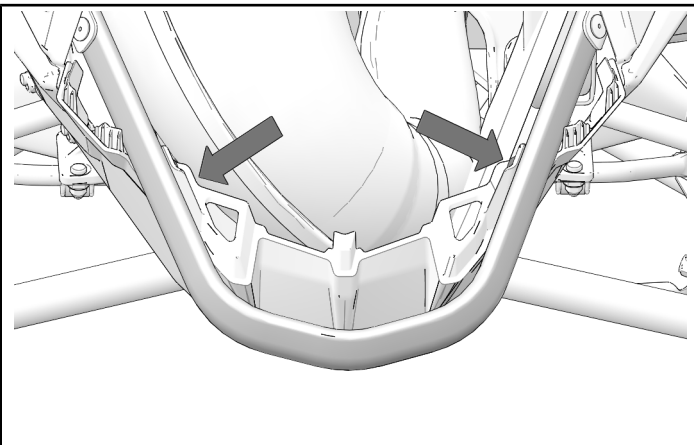
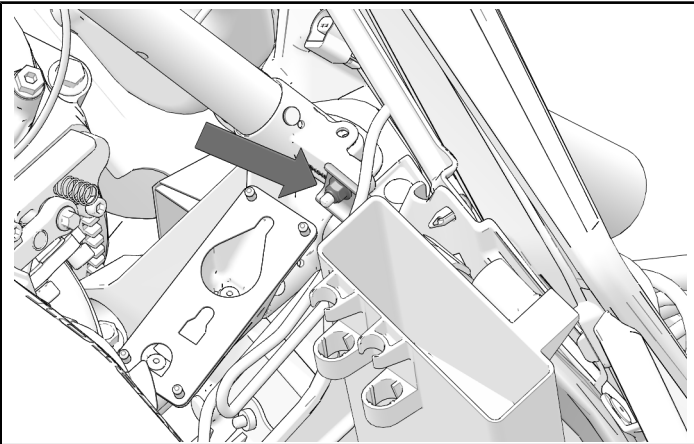
**TORQUE**

Front Bumper Hardware:  
**90 in-lbs (10 N·m)**

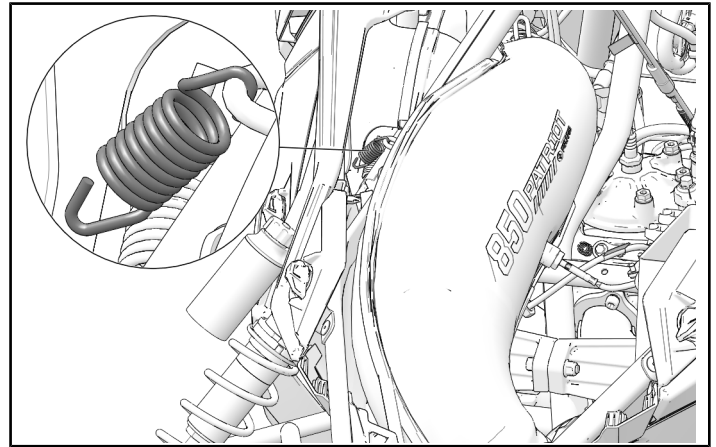


**IMPORTANT**

Make sure ground wire stays in place and does not become damaged.



10. Install spring connecting tuned exhaust pipe to bumper.



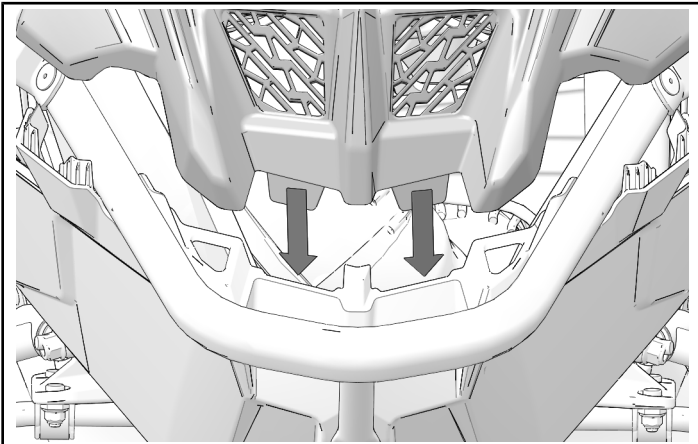
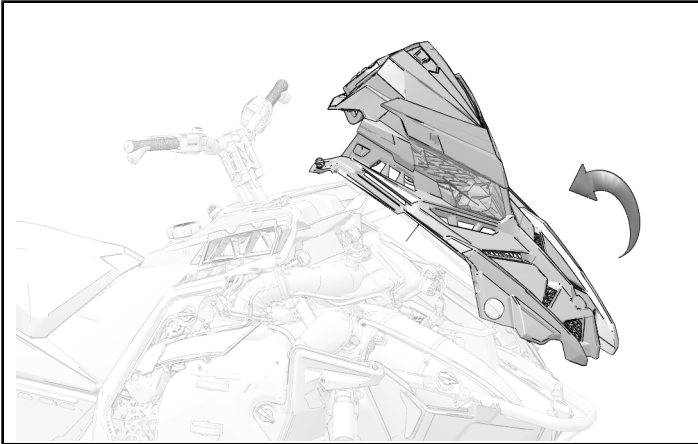
## VEHICLE REASSEMBLY

### INSTALL HOOD

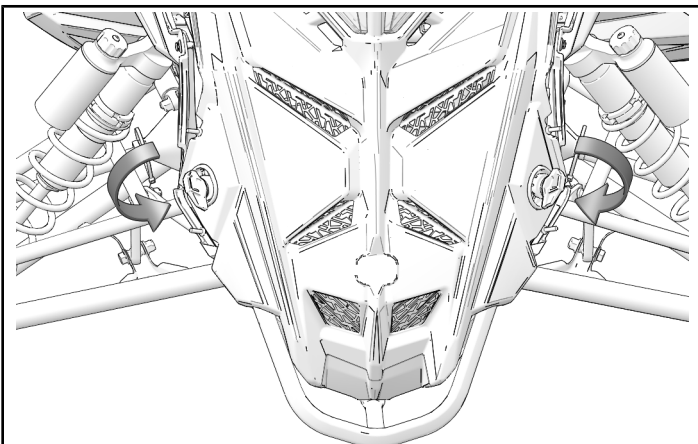
1. Install hood on snowmobile. Make sure tabs fit inside front pan.

#### NOTICE

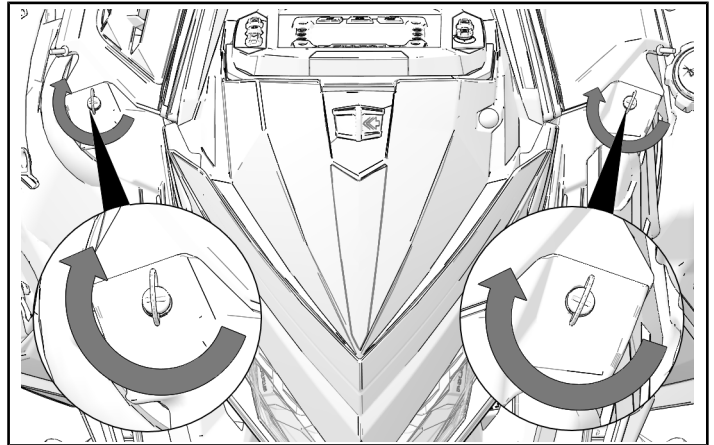
Make sure to connect hood wiring when installing hood.



2. Pull sides of hood out and install over side panel fasteners.



3. Turn hood fasteners clockwise to lock hood.



### INSTALL SIDE PANELS

1. Install side panel on snowmobile. Turn three fasteners toward front of snowmobile to lock panel.

#### NOTICE

Right side panel shown, left side similar.

